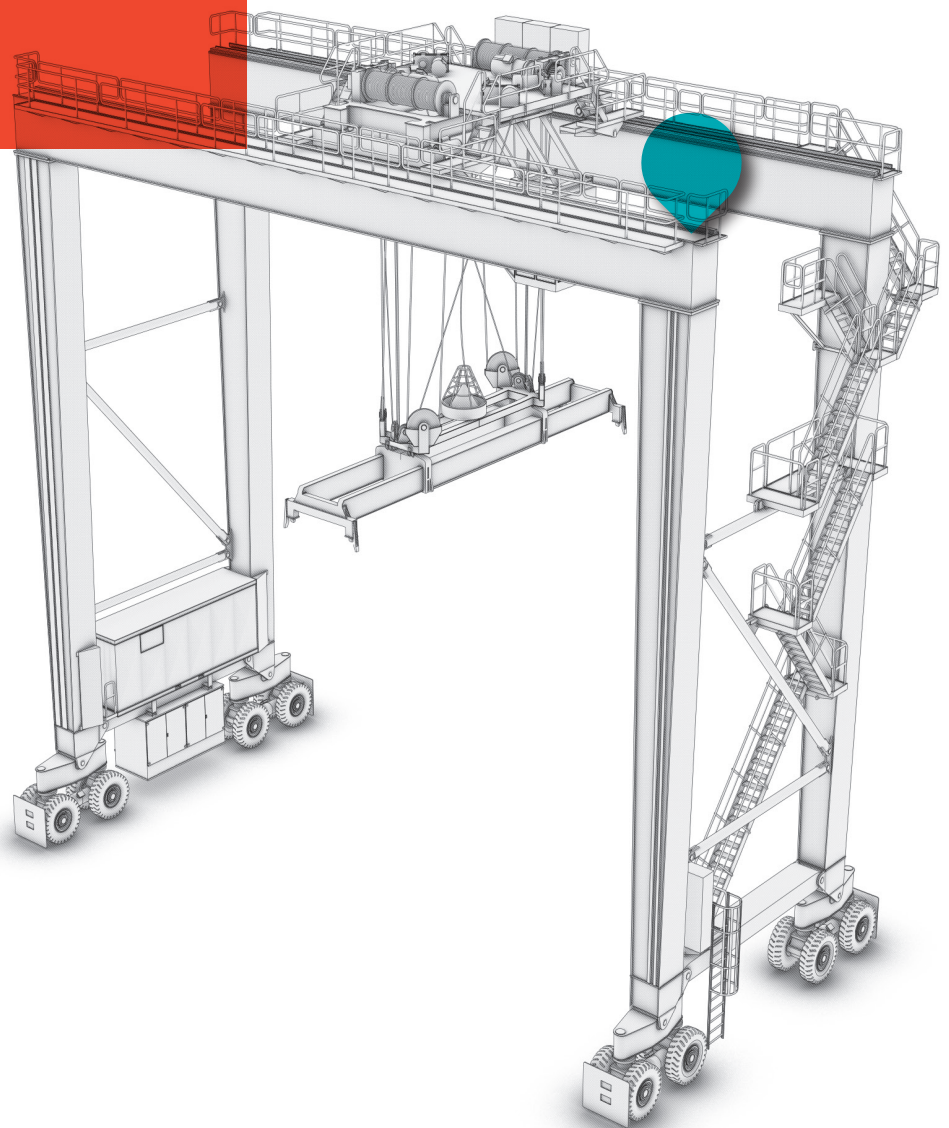


UPTIME

KONECRANES

Service Hoist Retrofit



BENEFITS

Even a simple RTG or RMG trolley service can require significant unscheduled crane movement in your yard. Retrofitting a service hoist onto your crane reduces the need for mobile cranes, and makes trolley maintenance safer and easier. We have several service hoist retrofit packages to choose from, suitable for almost every Konecranes yard crane.

CHOOSING THE CORRECT SERVICE HOIST



In total there are four different retrofit packages to choose from. Cranes equipped with four ACM machineries (typical 16W RTG trolley) have one jib mounted in the middle of the trolley whereas cranes with two skew machineries (typical 8W RTG trolley) have two jibs mounted on top of the hoist gearboxes. For both different jib types there are two electrically different models depending on the power supply voltage in the trolley cubicle.

Trolley Type	Power Supply Voltage	Retrofit Package
16W RTG with four ACM Machineries	400V (EU)	55406701
16W RTG with four ACM Machineries	480V (US)	55406781
8W RTG with two Skew Machineries	400V (EU)	55407048
8W RTG with two Skew Machineries	480V (US)	55407049



Service hoist for typical 16W RTG trolley (one jib)



Service hoist for typical 8W RTG trolley (two jibs)

This publication is for general informational purposes only. Konecranes reserves the right at any time, without notice, to alter or discontinue the products and/or specifications referenced herein. This publication creates no warranty on the part of Konecranes, express or implied, including but not limited to any implied warranty or merchantability or fitness for a particular purpose.