

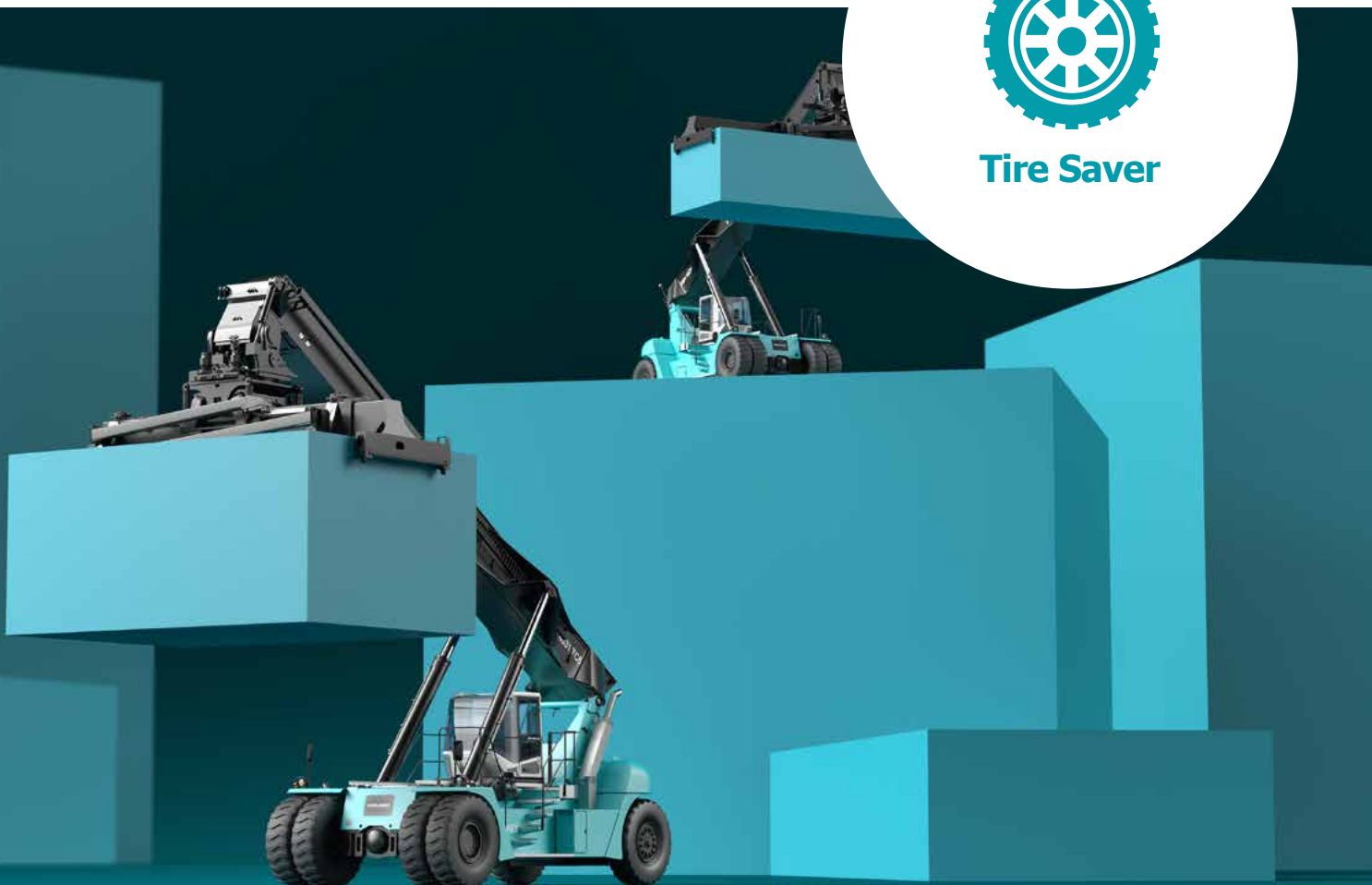
PRODUCTIVITY UPGRADE PACKAGES

GET MORE MILEAGE OUT OF YOUR TIRES.

INSIDE



Tire Saver



KONECRANES TIRE SAVER

EXTEND THE LIFE OF YOUR TIRES.

Steering wheels tire wear is one of the highest maintenance costs in lift truck operation. The Konecranes Tire Saver solution helps you get more mileage out of your tires by increasing your truck's turning radius, if you don't need to maneuver in small spaces on a daily basis.

HOW TIRE SAVER WORKS.

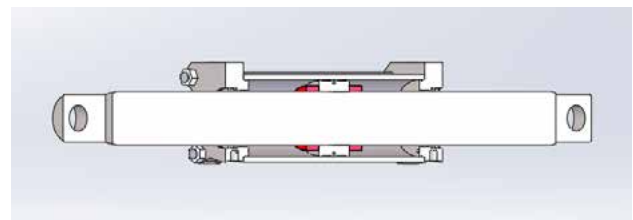
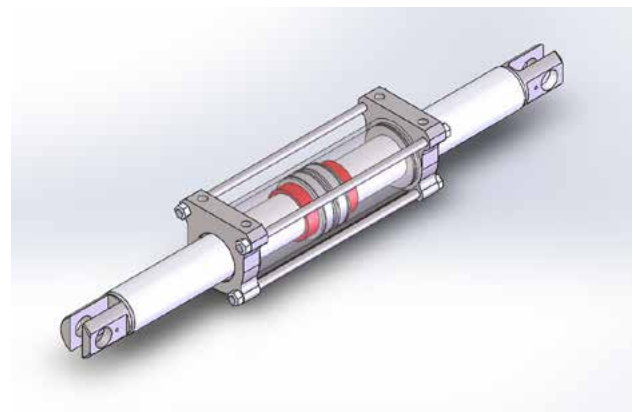
Konecranes Tire Saver consists of a mechanical kit installed into the truck's steering cylinder. When in place, the kit limits the steering cylinder stroke, resulting in a larger turning radius and longer tire life. Konecranes Tire Saver can be retrofitted into any Konecranes forklift, counterbalanced container handler or reach stacker.

BENEFITS.

- More uptime boosts productivity
- Eco-friendly thanks to less rubber waste
- Less tire replacement lowers operational costs

WHAT'S IN THE PACKAGE?

- Mechanical Kit
- Installation Guide
- Steering cylinder seal kit



CONTACT.

HOW TO ORDER.

Start saving on tires today! Talk to your distributor or Konecranes representative, and they'll be happy to take care of everything you need.

BUILT FOR YOUR WORLD. EVOLVING FOR TOMORROW'S.

Through Konecranes Lifetime Advantage, we make sure that every Konecranes lift truck is up to date, continually improved, and smartly maintained. Want to learn more about how the trucks built for your world can evolve with your needs? Talk to your dealer or visit [kcliftrucks.com/services](https://www.kcliftrucks.com/services).