

CORE OF LIFTING MOTORS

MOTORS MEANT FOR CRANES

THE RIGHT MOTOR FOR THE RIGHT JOB

QUALITY GIVES LESS DOWNTIME AND
BETTER SAFETY

WE COMPLY WITH ALL THE
INTERNATIONAL STANDARDS



MOTORS MEANT FOR CRANES

**A typical commercial motor is not optimal for crane duty.
We design our motors specifically for use in cranes.**

- A crane motor must make lots of starts and stops with anything from a full load to an empty hook
- It should be able to tolerate a high starting current without overheating
- The motor must be able to rotate in both directions
- Konecranes motors are designed to endure the various forces induced on the normal crane operating environment

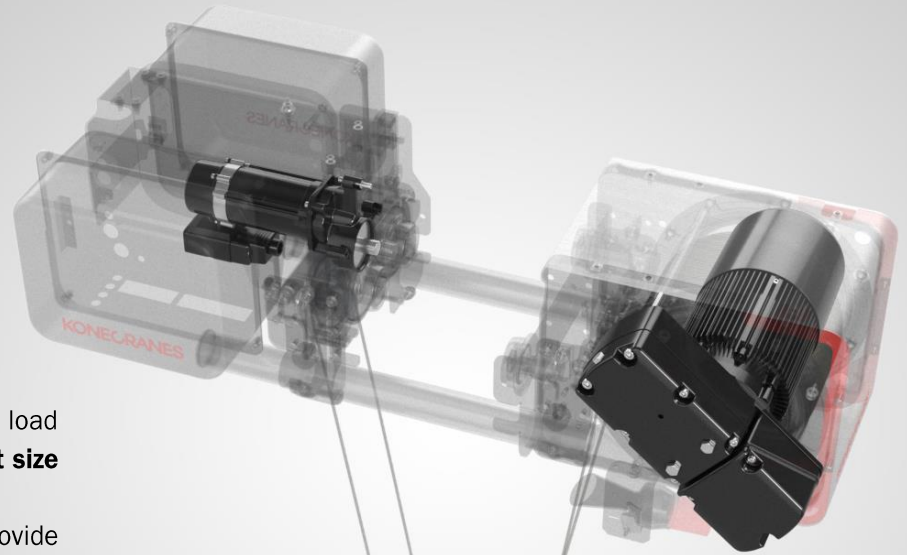
MADE JUST FOR LIFTING IN CRANES, A KONECRANES MOTOR IS DESIGNED TO KEEP YOU LIFTING RELIABLY AND YOUR LOADS STEADY FOR MANY YEARS TO COME.



THE RIGHT MOTOR FOR THE RIGHT JOB

We also tailor our motors for your particular lifting tasks.

- A thinner rotor reduces the moment of inertia, so the motor requires **less torque, less current, and less energy** to lift the load
- A smaller inverter can also be used, which makes **a compact size and better approach dimensions possible**
- If the crane is to be used in a harsh environment, we also provide dust, water and heat protection
- **Lower energy requirements** save a lot on costs in the long run, and are more environmentally friendly
- The right protection keeps your Konecranes equipment functioning perfectly in any hazardous work environment



Specially adapting a motor for your specific requirements really makes a difference when you have to lift in a restricted space, carry unusual or difficult loads, or where speed is crucial to your processes.



**A well-tested crane is
a safer crane.**

QUALITY GIVES LESS DOWNTIME AND BETTER SAFETY

With careful quality monitoring across the whole product development process, Konecranes has a well-earned reputation for safe and reliable lifting equipment.

- We use state-of-the-art software, including FEM simulations, and we cooperate with universities for access to the latest research
- Our extensive testing is backed up by regular internal and external audits
- During development, rigorous testing in all kinds of lifting environments ensures a quality lifting product
- We maintain the same strict testing requirements when tailoring a crane for your specific lifting needs

WE COMPLY WITH ALL THE INTERNATIONAL STANDARDS

Our motor production covers the following standards:

- ISO 9001
- ISO 14001
- OHSAS 18001

Konecranes motors are in conformity with:

• Directives:

- the Machinery Directive 2006/42/EC
- the Low Voltage Directive 2014/35/EU,
- the EMC Directive 2014/30/EU
- ATEX directive 2014/34/EU for EX motors

• Standards:

- EN 60034-1
- EN 60034-5
- EN 60034-9
- EN 60034-14
- IEC 60079 series for EX motors

• Certifications:

- CSA certified (Canada and USA)
- CSA C22.2 NO. 100-04
- UL 1004-1
- ATEX and IECEx for EX motors

• Type of protection for EX motors

- Ex d for Zone 1
- Ex tb for Zone 21
- Ex nA for Zone 2
- Ex tD for Zone 22
- EX markings:
 - II 3 G Ex nA IIC T3 Gc
 - II 3 D Ex tc IIIC T135°C Dc IP66
 - II 2 G Ex de IIC T4 Gb or Ex IIC T4 Gb
 - II 2 D Ex tb IIIC T120°C or T135°C Dd




Contact Konecranes to learn more.

[CONTACT US](#)

FOLLOW US

[!\[\]\(950a62bbddad88d64435fd35607dfc42_img.jpg\) LINKEDIN](#) [!\[\]\(80ae2b64037a63e4dd106d2cfb4205ab_img.jpg\) TWITTER](#) [!\[\]\(9e6b464392878bce7cea642e72141689_img.jpg\) YOUTUBE](#)

Konecranes is a world-leading group of Lifting Businesses™ offering lifting equipment and services that improve productivity in a wide variety of industries. The company is listed on Nasdaq Helsinki Ltd (symbol: KCR1V). With approximately 12,000 employees at 600 locations in nearly 50 countries we have the resources, technology and determination to deliver on the promise of Lifting Businesses™.

© 2016 Konecranes. All rights reserved. 'Konecranes', 'Lifting Businesses', , TRUCONNECT, CXT, are either registered trademarks or trademarks of Konecranes Global Corporation.

**READ MORE ABOUT
CORE OF LIFTING**